

COR VISION PLUS

SYSTEM

Sightlines

Frame depth 180 mm / 278 mm 3 rails

Sash depth 69 mm

Interlock 25 mm

Polyamide Strip Length

Frame 40 mm

Sash 18 / 32 mm

Profile Thickness

Door 2.0 mm

Glazing

Max. 56 mm, Min. 36 mm

Maximum Sash Dimensions

Width (L) 4000 mm, Height (H) 4000 mm

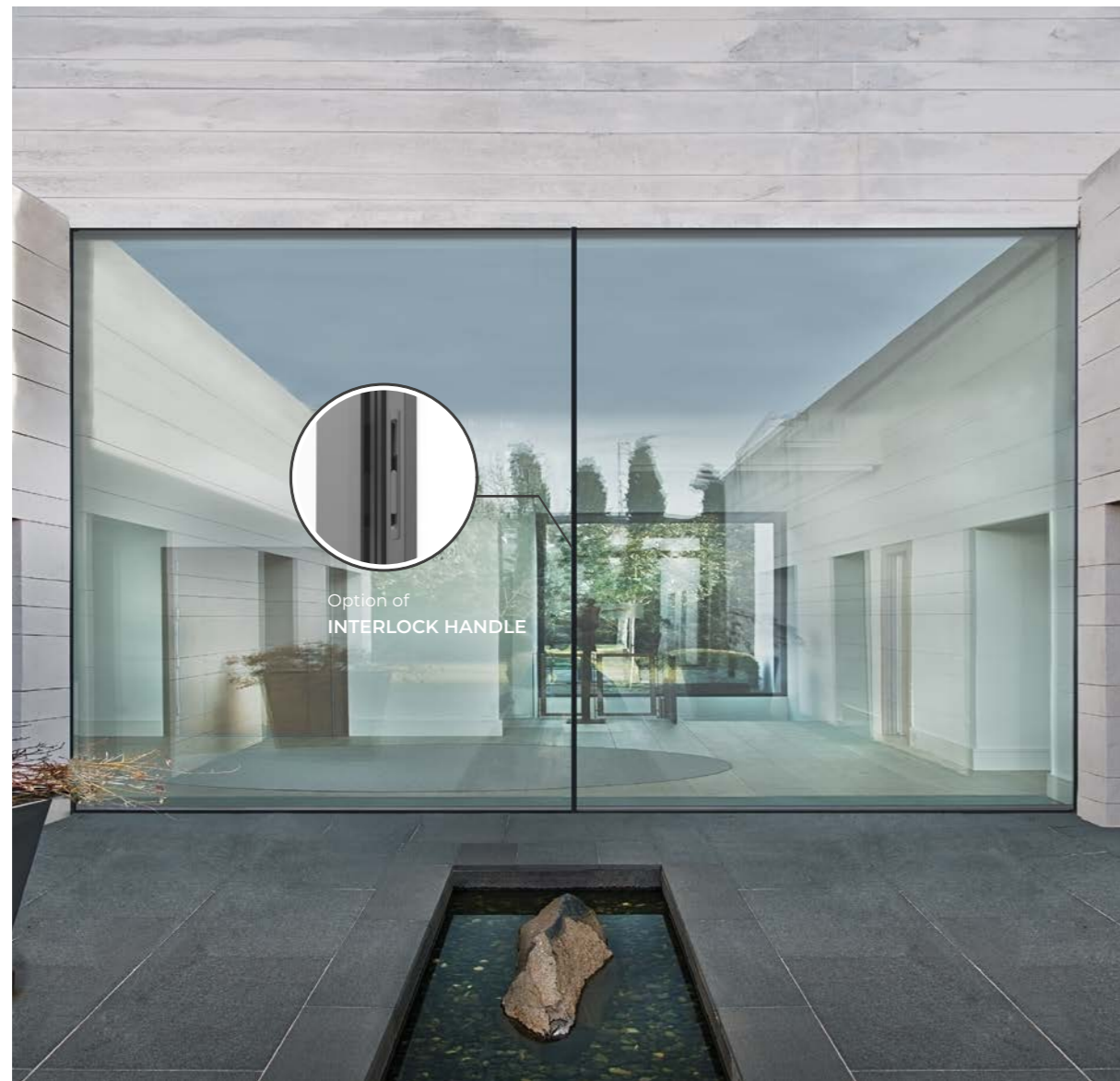
*Glazed surface 14 m²

Maximum Sash Weight

400 kg Manual

700 Kg Motorized

Consult maximum weight and dimensions according to typologies



COR VISION PLUS SYSTEM



The greatness of minimalism is reflected in this sliding system of large dimensions with sashes of up to 4 meters, interlock sightline of only 25 mm and frames embedded in the perimeter, allowing for a glazed surface of up to 94%. It has a maximum glazing capacity of 56 mm, offering excellent

thermal and acoustic performances. Available with manual (up to 400 kg) or motorized (up to 700 kg) opening system. Additionally, accessibility is favoured by the possibility of hiding the rail and even integrating it fully into the floor.

- High thermal & acoustic performance
- Up to 4 by 4 m per panel
- Motorized version
- 25 mm interlock
- Hidden track possibility

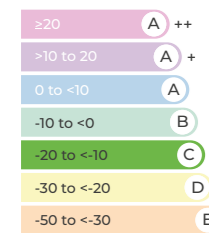
25 mm interlock

Up to 4 m height

Triple track, open corner & in-pocket configurations

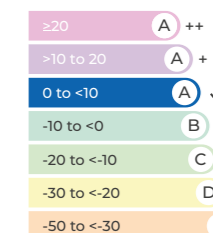


BFRC Rating kWh/(m²·yr)



Double glazing

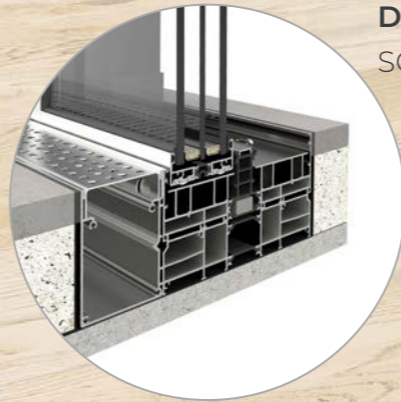
BFRC Rating kWh/(m²·yr)



Triple glazing



DRAINAGE SOLUTION



HIDDEN TRACK SOLUTION

FEATURES

| | | | |
|---------------------|--|---------------------------------------|------------------------------------|
| U value | | Double glazing Uw from 1.3 (W/m²K) | Triple glazing Uw ≥ 0.9 (W/m²K) |
| Acoustic insulation | | Rw up to 43 dB | |
| Air permeability | | Class 4 | |
| Water tightness | | Class 7A* / 9A** | |
| Wind resistance | | Class C3* / C4** | |

Double glazing Ug=1.0 / Triple glazing Ug=0.5

Wind resistance:

* Reference test balcony 4.00 x 3.00 m / 2 sashes

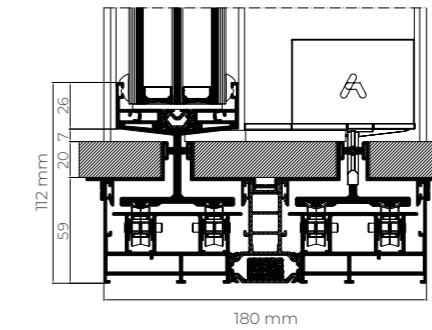
** Reference test balcony 4.00 x 3.00 m / 1 sash + 1 fixed light



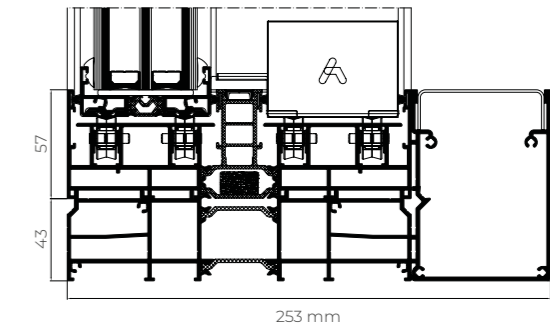
SECURITY HARDWARE

FLUSH SECURITY HARDWARE

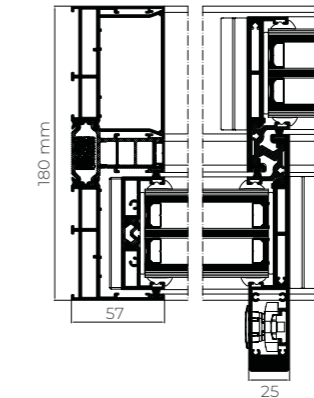
HIDDEN TRACK SOLUTION



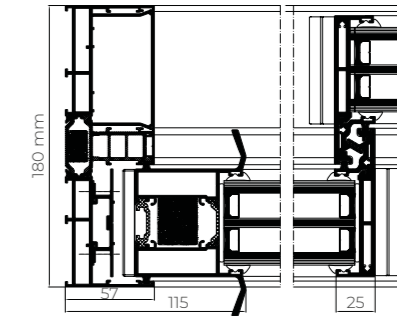
BESPOKE DRAINAGE SOLUTION



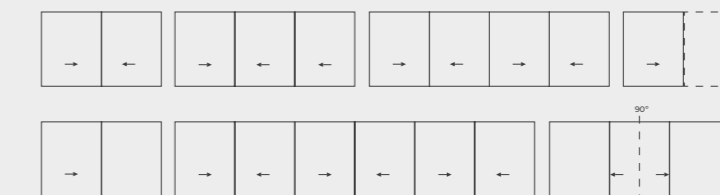
INTERLOCK HANDLE



DOUBLE TRACK



OPENING POSSIBILITIES



Sliding

Possibility of 1, 2, 3 or 4 rails

Possibility of interior and exterior corner sash at 90° without mullion

Pocket possibility

POSSIBILITIES

- AUTOMATION
- ACCESSIBILITY

